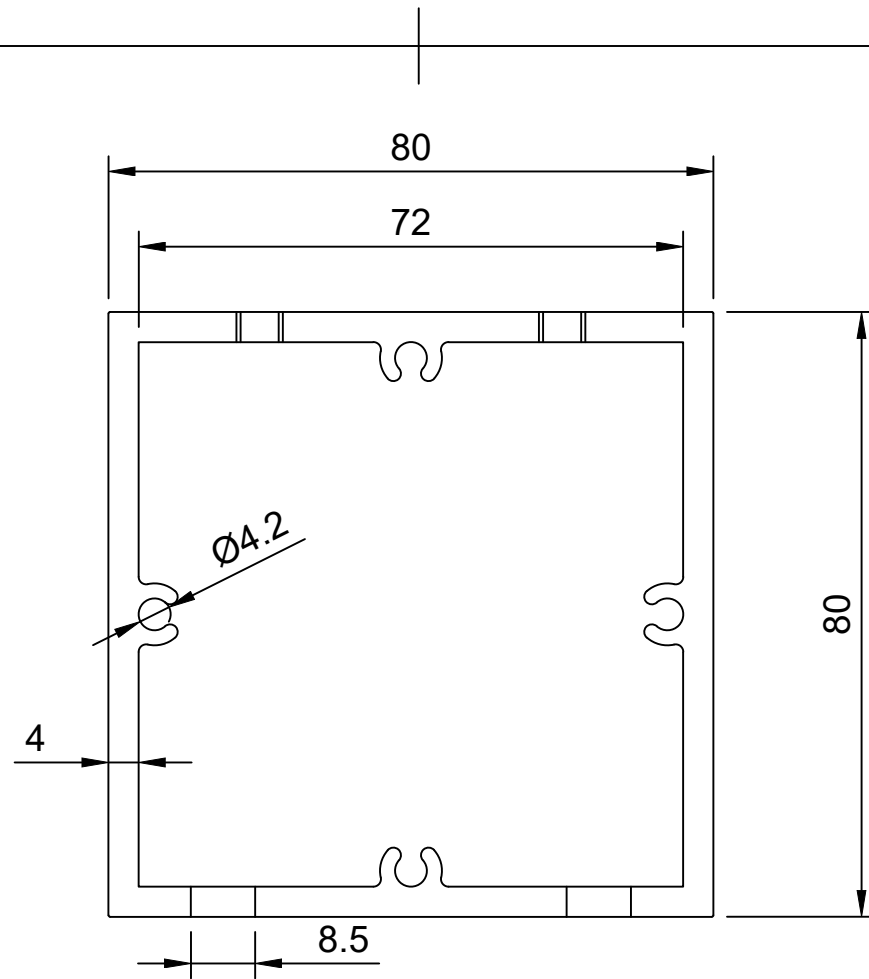

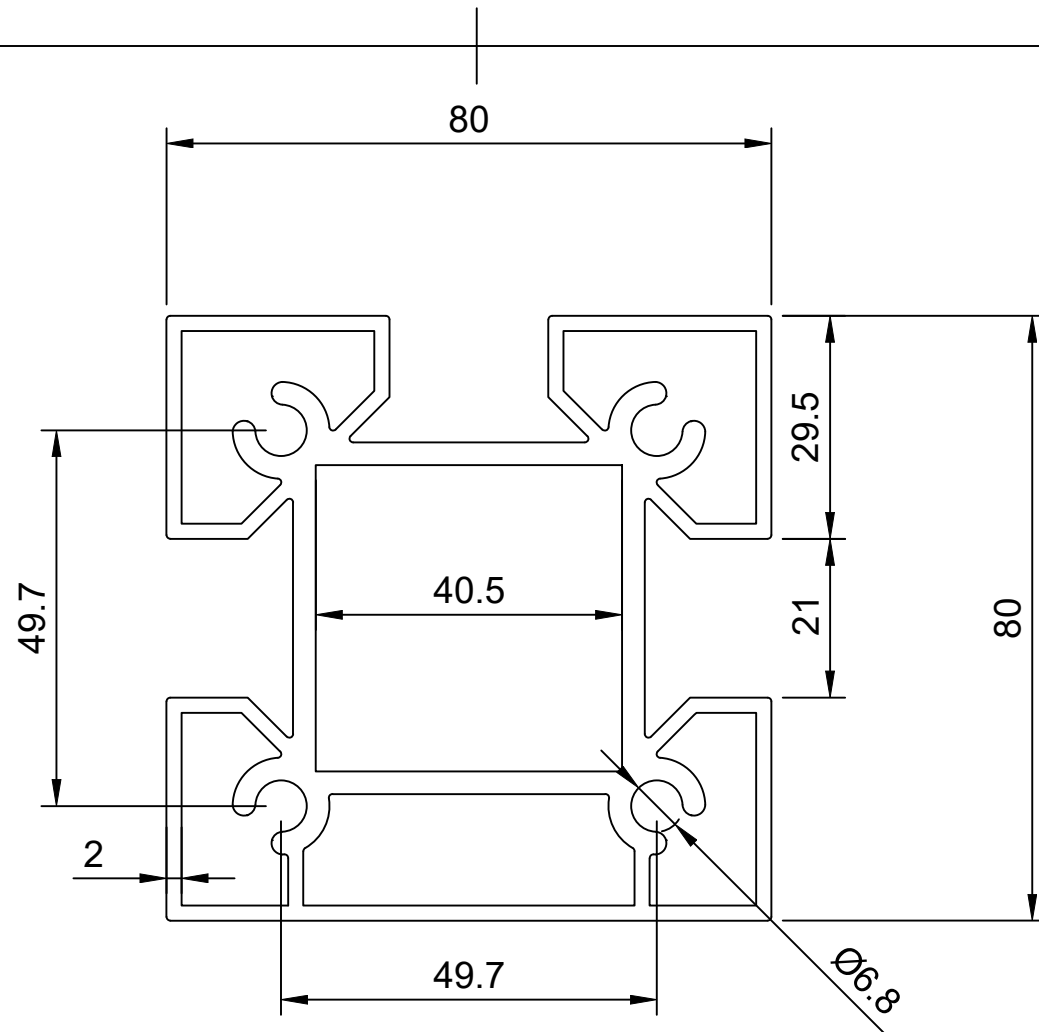


Terrassendach + Carport Premium

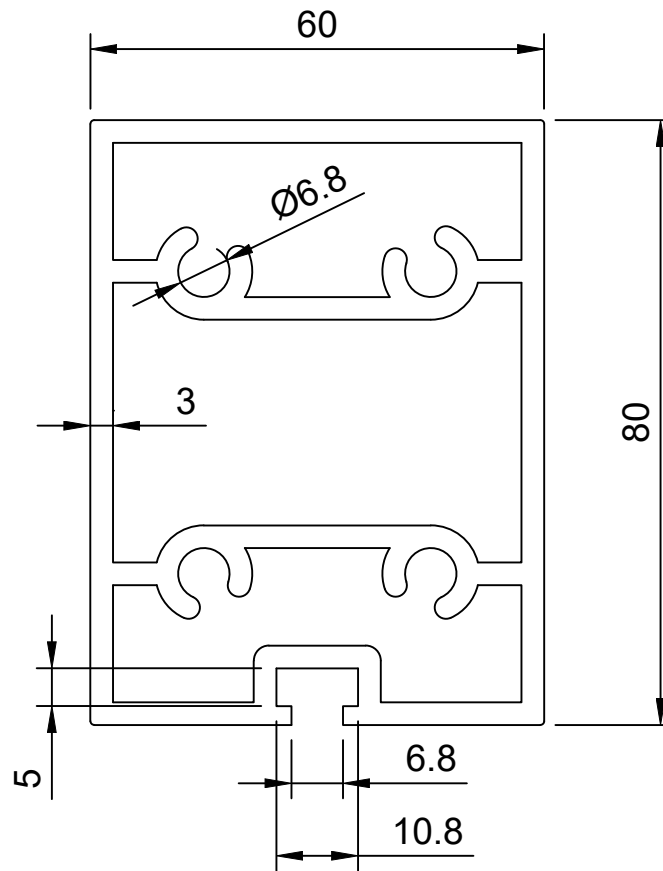




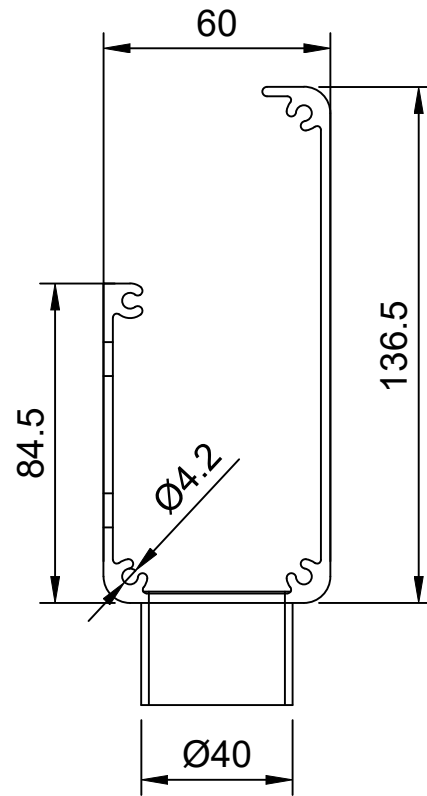
| | | | | |
|--|---------------------|--|-----------------|--------------|
| Dept. | Technical reference | Created by Christian Doering 15.01.2019 | Approved by | |
|  | | Document type | Document status | |
| | | Title Pfette Premium Terrassendach | DWG No. | |
| | | Rev. | Date of issue | Sheet 1/1 |




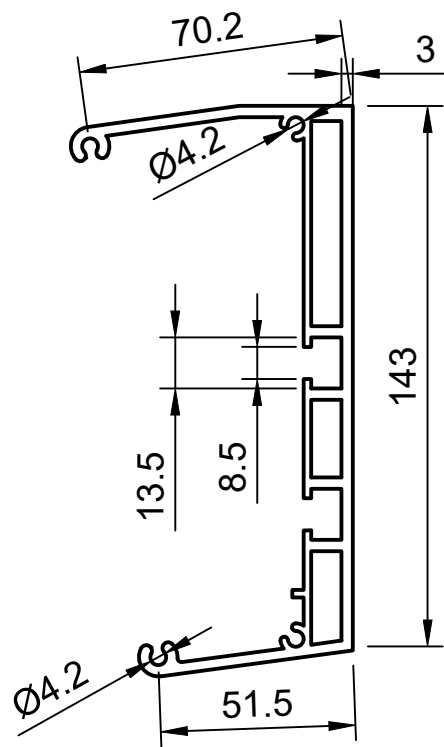
| | | | | |
|--|---------------------|--|-----------------|--------------|
| Dept. | Technical reference | Created by Christian Doering 15.01.2019 | Approved by | |
|  | | Document type | Document status | |
| | | Title Pfosten Premium Terrassendach | DWG No. | |
| | | Rev. | Date of issue | Sheet 1/1 |




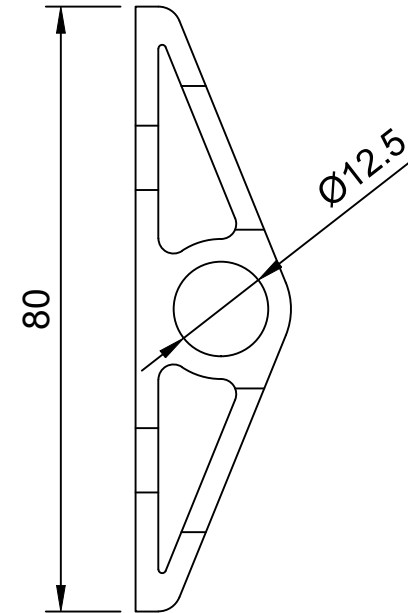
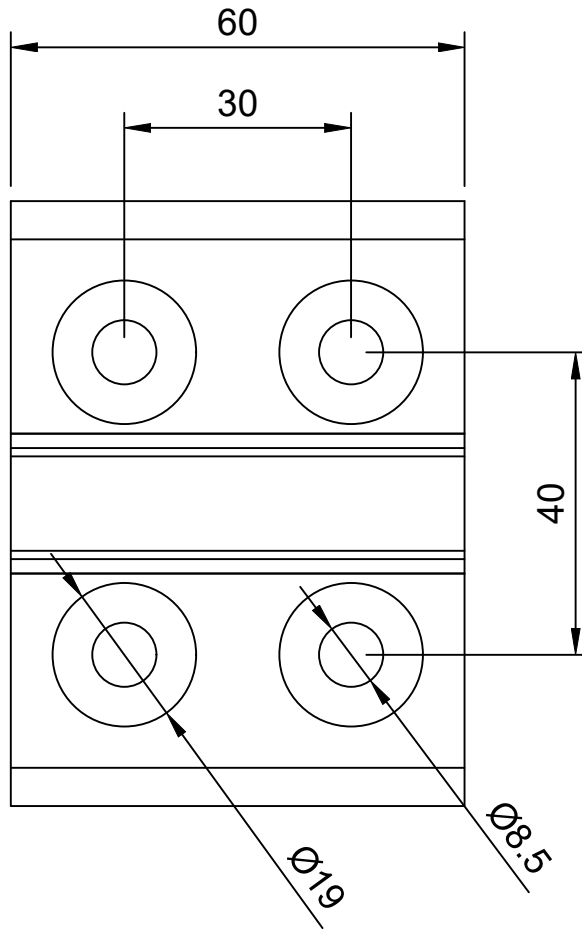
| | | | | |
|--|---------------------|--|-----------------|--------------|
| Dept. | Technical reference | Created by Christian Doering 15.01.2019 | Approved by | |
|  | | Document type | Document status | |
| | | Title Sparren Premium Terrassendach | DWG No. | |
| | | Rev. | Date of issue | Sheet 1/1 |



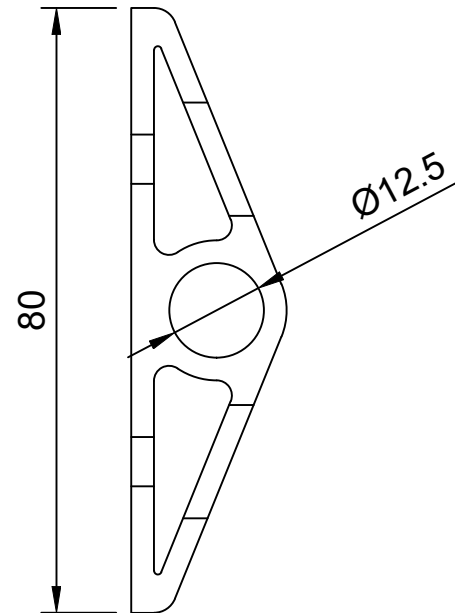
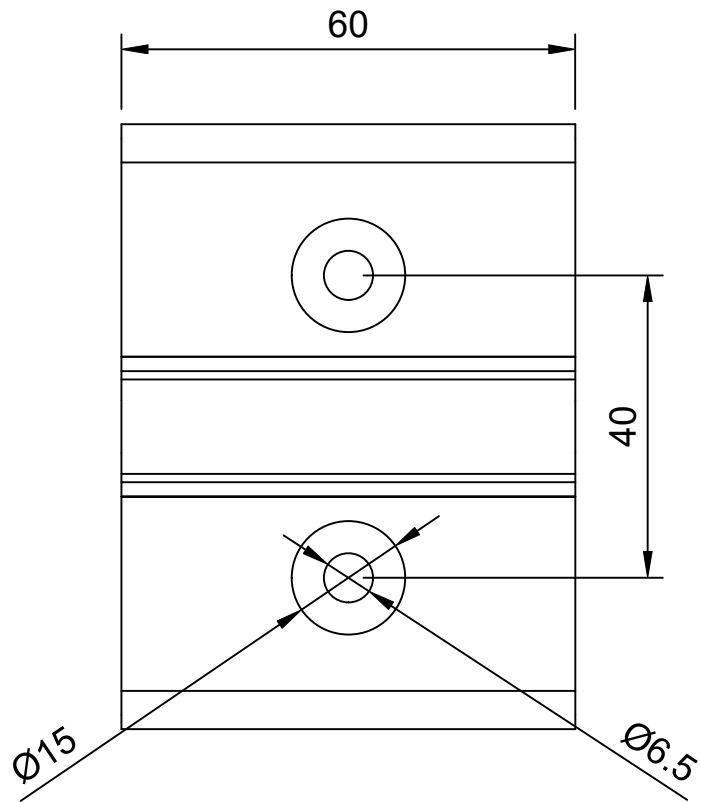
| | | | | |
|--|---------------------|--|-----------------|--------------|
| Dept. | Technical reference | Created by Christian Doering 15.01.2019 | Approved by | |
|  | | Document type | Document status | |
| | | Title Regenrinne Premium Terrassendach | DWG No. | |
| | | Rev. | Date of issue | Sheet 1/1 |



| | | | | |
|--|---------------------|---|-----------------|--------------|
| Dept. | Technical reference | Created by Christian Doering 15.01.2019 | Approved by | |
|  | | Document type | Document status | |
| | | Title Wandanschluss Premium Terrassendach | DWG No. | |
| | | Rev. | Date of issue | Sheet 1/1 |



| | | | | |
|--|---------------------|--|-----------------|--------------|
| Dept. | Technical reference | Created by Christian Doering 15.01.2019 | Approved by | |
|  | | Document type | Document status | |
| | | Title Wandanschluss Lagerprofil Premium Terrassendach | DWG No. | |
| | | Rev. | Date of issue | Sheet 1/1 |



| | | | | |
|--|---------------------|--|-----------------|--------------|
| Dept. | Technical reference | Created by Christian Doering 15.01.2019 | Approved by | |
|  | | Document type | Document status | |
| | | Title Pfette Lagerprofil Premium Terrassendach | | DWG No. |
| | | Rev. | Date of issue | Sheet 1/1 |